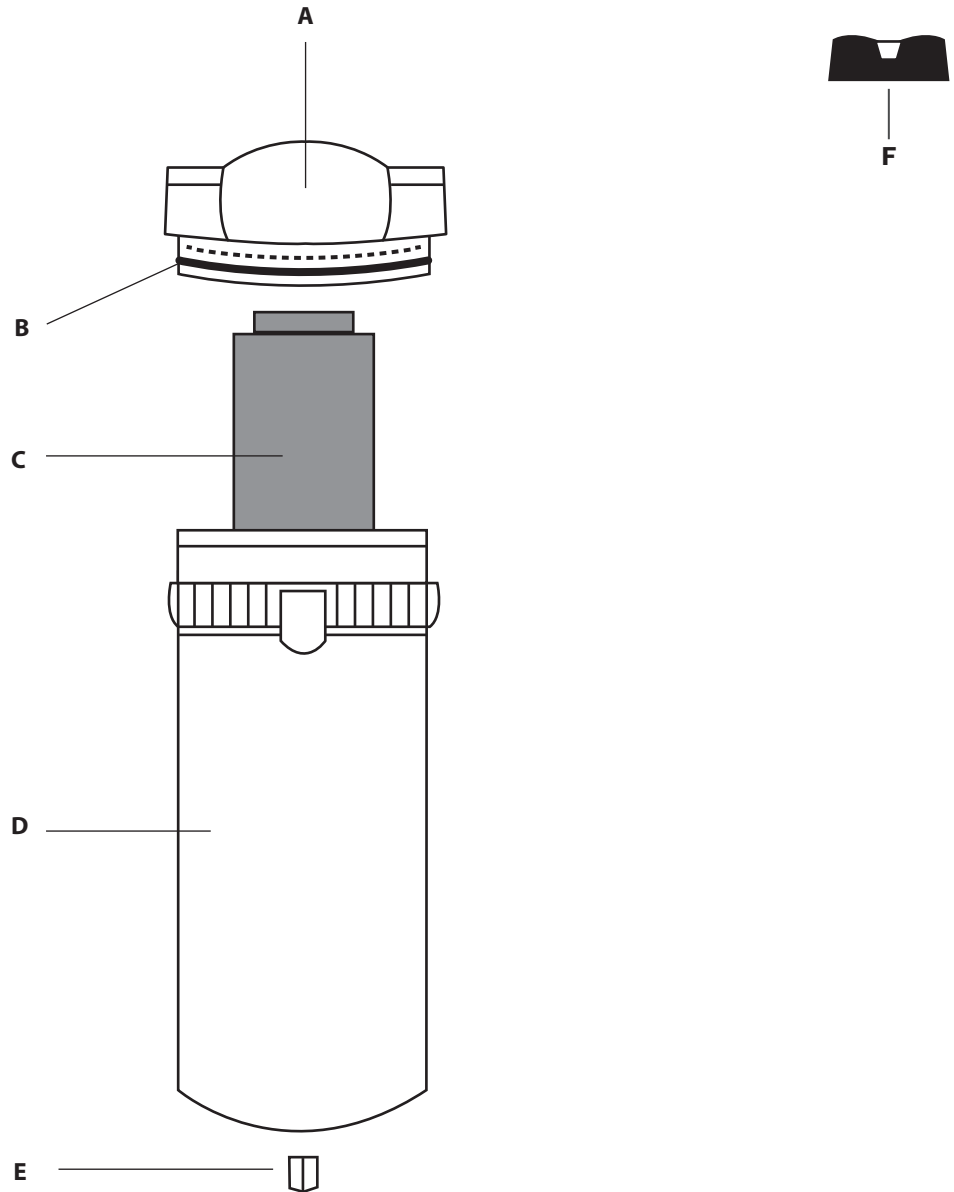


C104-B / C104i-B Breakdown



Description	Part #	Description	Part #
A Replacement Head	WIL-059	D Bowl Assembly w/ Drain	N34-95-201
B Bowl O-ring	N32-95-257	E Automatic Drain	N32-95-979
C Replacement Element, 1st Stage	3C-060	F Differential Pressure Ind. (C104i-B)	N32-W1-DPi



(800) 521-9200



www.driair.com | www.rti-pbe.com



@RTiPBE



@rti_pbe

