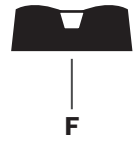
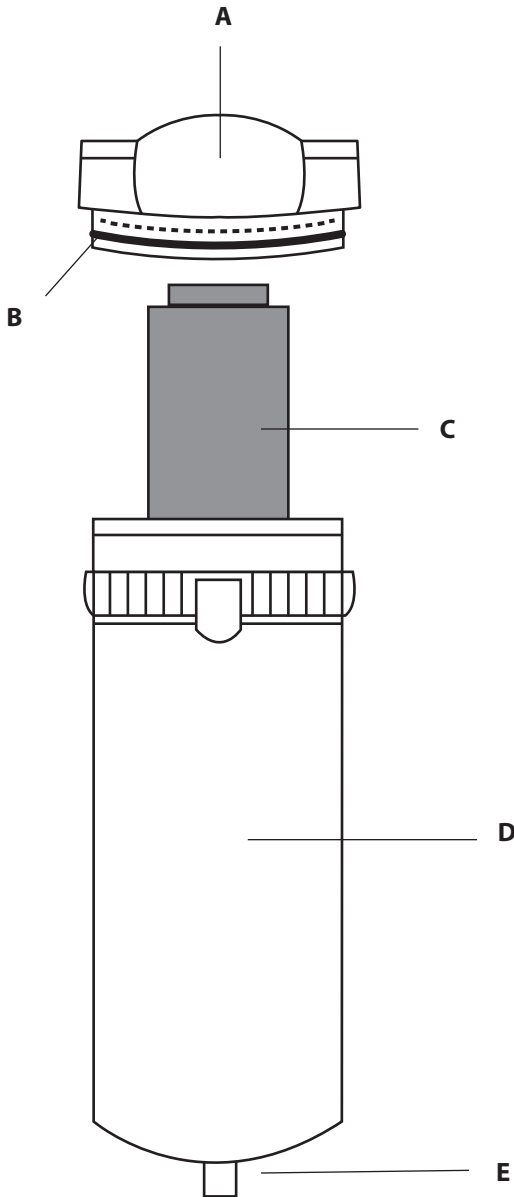


C108 / C108i Breakdown



Description	Part #	Description	Part #
A Replacement Head	WIL-065	D Bowl Assembly w/ Drain	N34-15-178
B Bowl O-ring	N32-95-256	E Automatic Drain	N32-95-979
C Replacement Element	3C-150	F Differential Pressure Ind. (C108i)	N32-W1-DPi



(800) 521-9200



www.driair.com | www.rti-pbe.com



@RTiPBE



@rti_pbe

