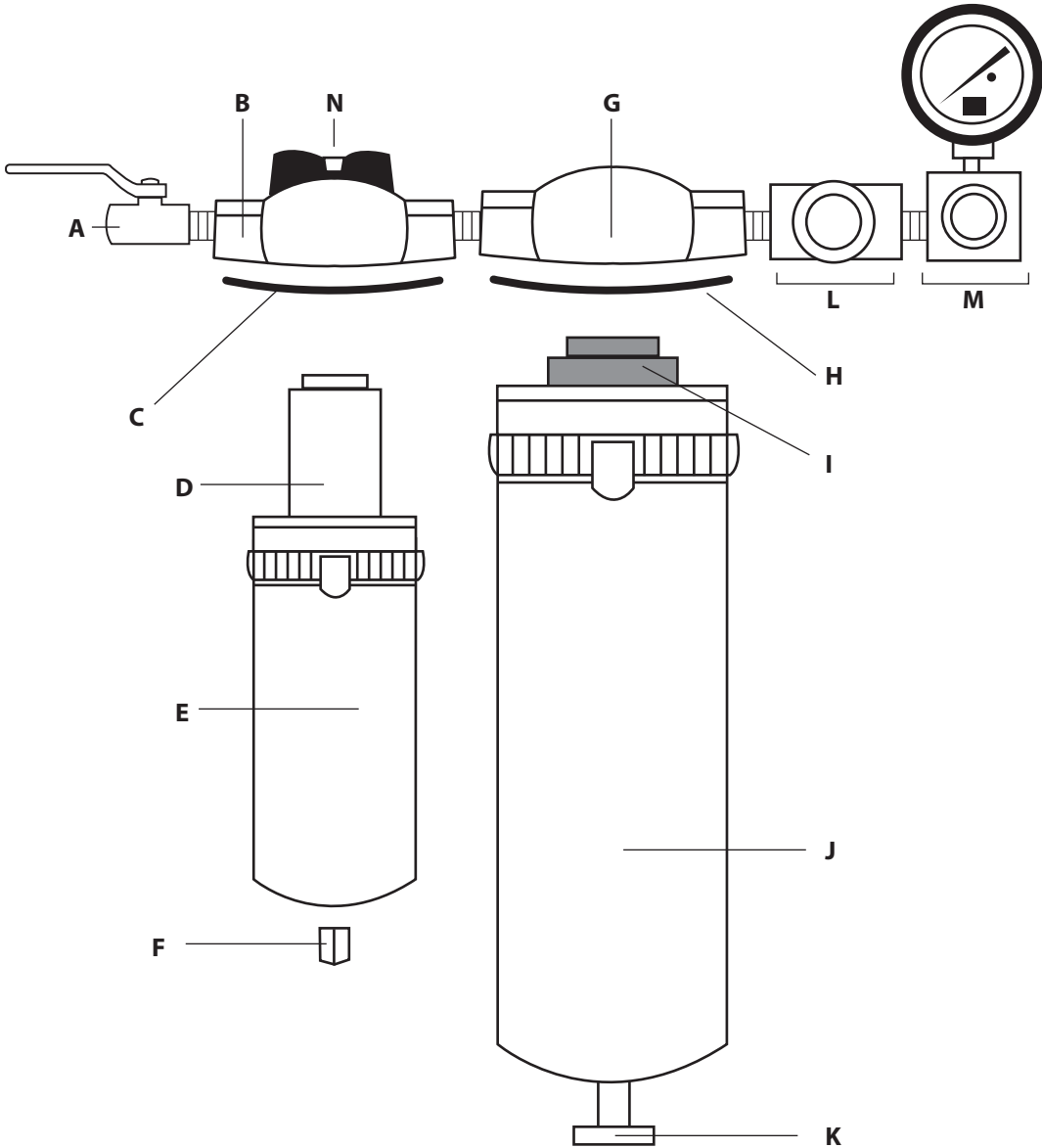


E4000-3R Breakdown



Description	Part #	Description	Part #
A Ball Valve, 1/2"	BV-051	I Replacement Element, 2nd Stage	DE401
B Replacement Head, 1st Stage	WIL-059	J Bowl Assembly, 2nd Stage	N34-15-180
C Bowl O-ring, 1st Stage	N32-95-257	K Petcock Drain, 3/8"	PC-03
D Replacement Element, 1st Stage	4P-060	L Moisture Indicator Assembly	RTi-04-CK
E Bowl Assembly, 1st Stage	N34-95-201	M Regulator/Gauge, 3/8"	RG30
F Automatic Drain	N32-95-979	N Differential Pressure Indicator	N32-W1-DPi
G Replacement Head, 2nd Stage	WIL-001M		
H Bowl O-ring, 2nd Stage	N32-95-256		



(800) 521-9200

www.driair.com | www.rti-pbe.com

[f](https://www.facebook.com/RTiPBE) @RTiPBE

[i](https://www.instagram.com/rti_pbe) @rti_pbe

