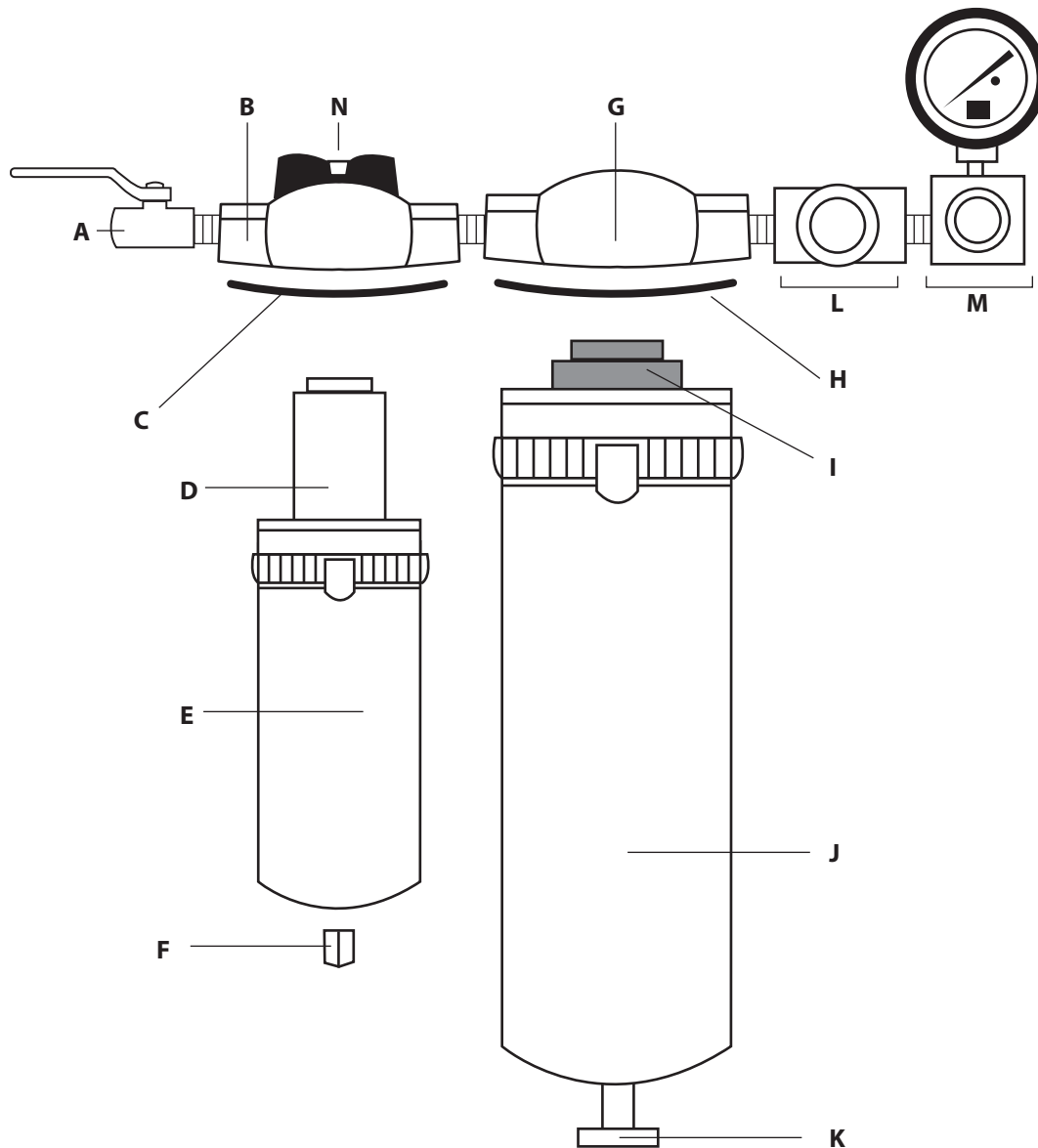


# E4000 Breakdown



## Description

## Part #

## Description

## Part #

<b>A</b>	Ball Valve, 1/2"	BV-051	<b>I</b>	Replacement Element, 2nd Stage	DE401
<b>B</b>	Replacement Head, 1st Stage	WIL-059	<b>J</b>	Bowl Assembly, 2nd Stage	N34-15-180
<b>C</b>	Bowl O-ring, 1st Stage	N32-95-257	<b>K</b>	Petcock Drain, 3/8"	PC-03
<b>D</b>	Replacement Element, 1st Stage	4P-060	<b>L</b>	Moisture Indicator Assembly	RTi-04-CK
<b>E</b>	Bowl Assembly, 1st Stage	N34-95-201	<b>M</b>	Regulator/Gauge, 1/4"	RG25
<b>F</b>	Automatic Drain	N32-95-979	<b>N</b>	Differential Pressure Indicator	N32-W1-DPi
<b>G</b>	Replacement Head, 2nd Stage	WIL-001M			
<b>H</b>	Bowl O-ring, 2nd Stage	N32-95-256			



(800) 521-9200



[www.driair.com](http://www.driair.com) | [www.rti-pbe.com](http://www.rti-pbe.com)



@RTiPBE



@rti\_pbe

