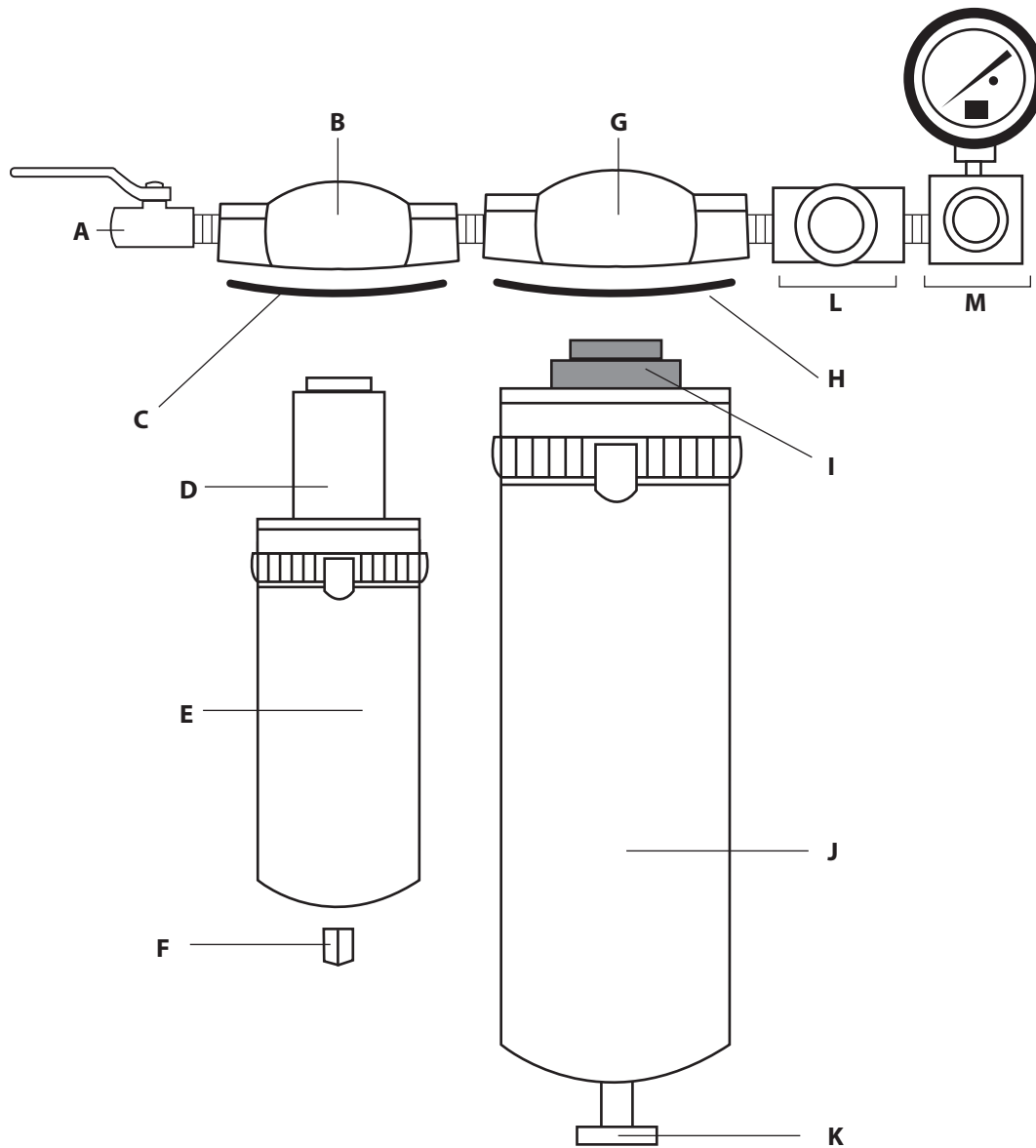


EH4000-3R Breakdown



Description

Part

Description

Part

A Ball Valve, 1/2"	BV-051	H Bowl O-ring, 2nd Stage	N32-95-256
B Replacement Head, 1st Stage	WIL-040	I Replacement Element, 2nd Stage	DE401
C Bowl O-ring, 1st Stage	N32-95-257	J Bowl Assembly, 2nd Stage	N34-15-180
D Replacement Element, 1st Stage	4P-060	K Petcock Drain, 3/8"	PC-03
E Bowl Assembly, 1st Stage	N34-95-201	L Moisture Indicator Assembly	RTi-04-CK
F Automatic Drain	N32-95-979	M Regulator/Gauge, 3/8"	RG30
G Replacement Head, 2nd Stage	WIL-001M		



(800) 521-9200



www.driair.com | www.rti-pbe.com



@RTiPBE



@rti_pbe

