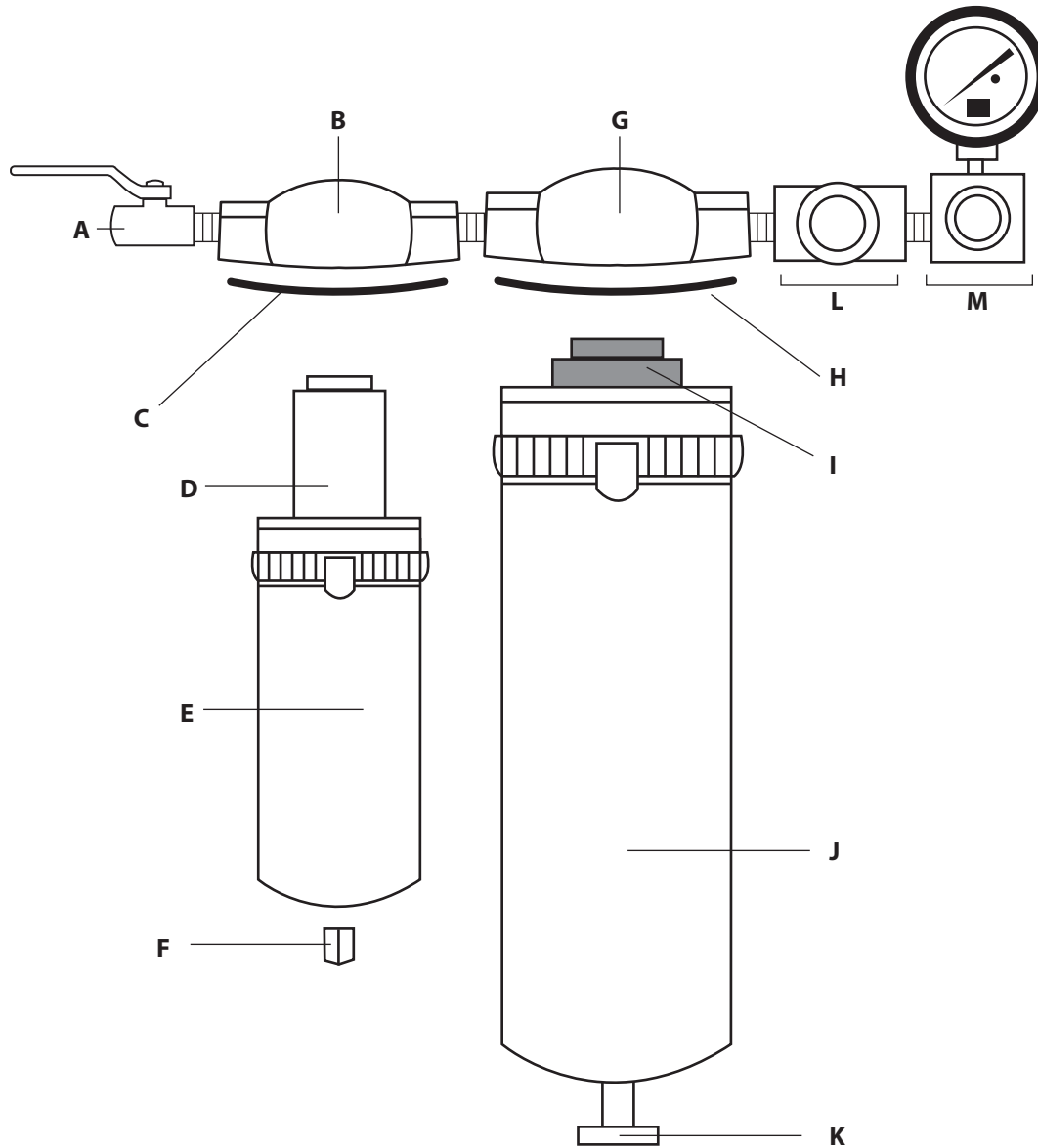


EH4000 Breakdown



Description

Part

Description

Part

A	Ball Valve, 1/2"	BV-051	H	Bowl O-ring, 2nd Stage	N32-95-256
B	Replacement Head, 1st Stage	WIL-040	I	Replacement Element, 2nd Stage	DE401
C	Bowl O-ring, 1st Stage	N32-95-257	J	Bowl Assembly, 2nd Stage	N34-15-180
D	Replacement Element, 1st Stage	4P-060	K	Petcock Drain, 3/8"	PC-03
E	Bowl Assembly, 1st Stage	N34-95-201	L	Moisture Indicator Assembly	RTi-04-CK
F	Automatic Drain	N32-95-979	M	Regulator/Gauge, 1/4"	RG25
G	Replacement Head, 2nd Stage	WIL-001M			



(800) 521-9200



www.driair.com | www.rti-pbe.com



@RTiPBE



@rti_pbe

