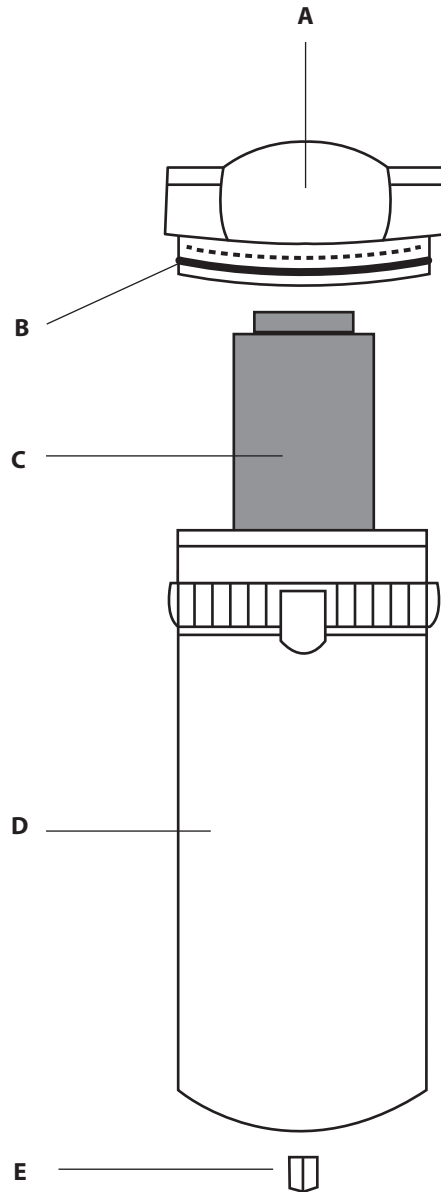


EX104-B Breakdown



Description

- A** Replacement Head
- B** Bowl O-ring
- C** Replacement Element

Part

- WIL-040
- N32-95-257
- 1P-060

Description

- D** Bowl Assembly w/ Drain
- E** Automatic Drain

Part

- N34-95-201
- N32-95-979



(800) 521-9200



www.driair.com | www.rti-pbe.com



@RTiPBE



@rti_pbe

