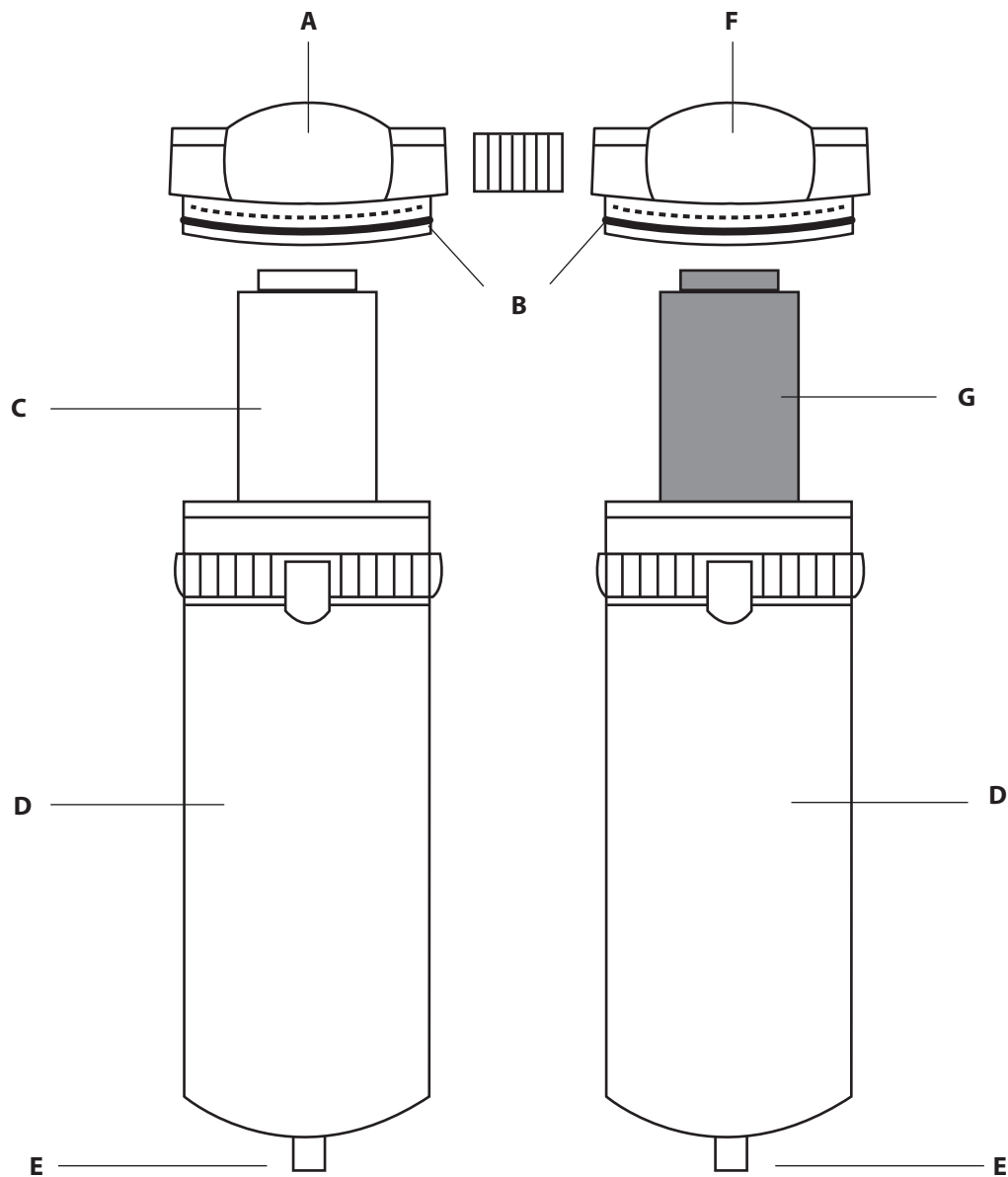


# EX206 / EX206i Breakdown



## Description

## Part #

## Description

## Part #

<b>A</b>	Replacement Head, 1st Stage (EX206)	WIL-004
<b>A</b>	Replacement Head, 1st Stage (EX206i)	WIL-063
<b>B</b>	Bowl O-ring	N32-95-256
<b>C</b>	Replacement Element, 1st Stage	1P-090
<b>D</b>	Bowl Assembly	N34-15-178

<b>E</b>	Automatic Drain	N32-95-979
<b>F</b>	Replacement Head, 2nd Stage	WIL-063
<b>G</b>	Replacement Element, 2nd Stage	3C-090
<b>H</b>	Differential Pressure Ind. (EX206i)	N32-W1-DPi



(800) 521-9200



[www.driair.com](http://www.driair.com) | [www.rti-pbe.com](http://www.rti-pbe.com)



@RTiPBE



@rti\_pbe

