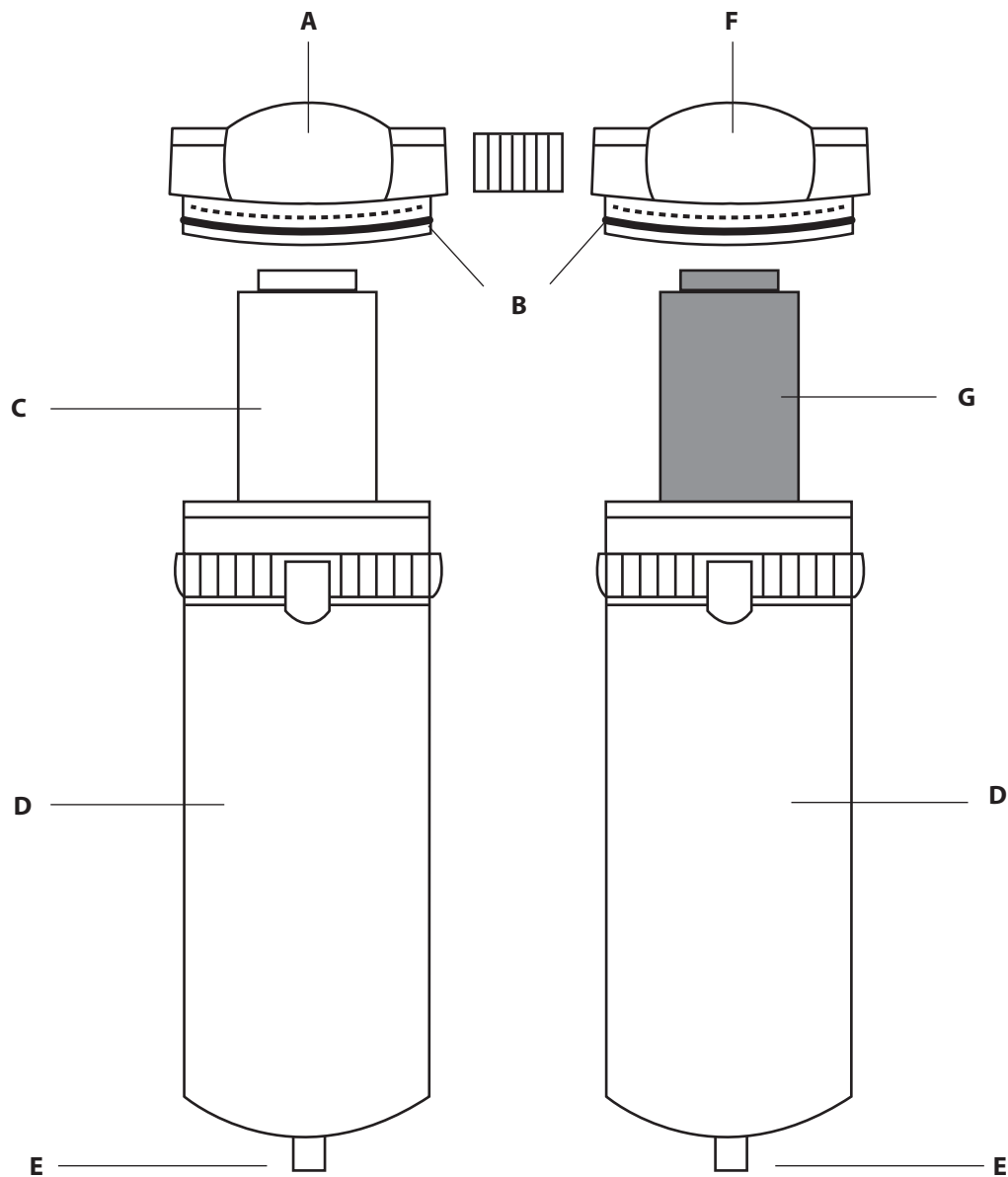


EX208 / EX208i Breakdown



Description

Part

Description

Part

A	Replacement Head, 1st Stage (EX208)	WIL-007
A	Replacement Head, 1st Stage (EX208i)	WIL-065
B	Bowl O-ring	N32-95-256
C	Replacement Element, 1st Stage	1P-150
D	Bowl Assembly	N34-15-178

E	Automatic Drain	N32-95-979
F	Replacement Head, 2nd Stage	WIL-065
G	Replacement Element, 2nd Stage	3C-150
H	Differential Pressure Ind. (EX208i)	N32-W1-DPi



(800) 521-9200



www.driair.com | www.rti-pbe.com



@RTiPBE



@rti_pbe

