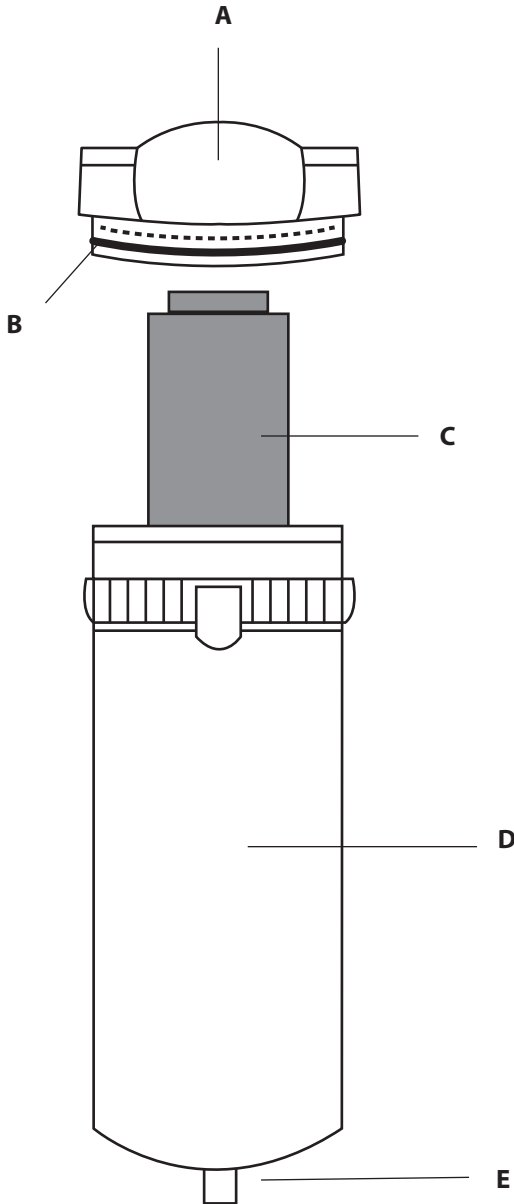


EX106 Breakdown



Description

- A** Replacement Head
- B** Bowl O-ring
- C** Replacement Element

Part

- WIL-004
- N32-95-256
- 1P-090

Description

- D** Bowl Assembly w/ Drain
- E** Automatic Drain

Part

- N34-15-178
- N32-95-979



(800) 521-9200



www.driair.com | www.rti-pbe.com



@RTiPBE



@rti_pbe

