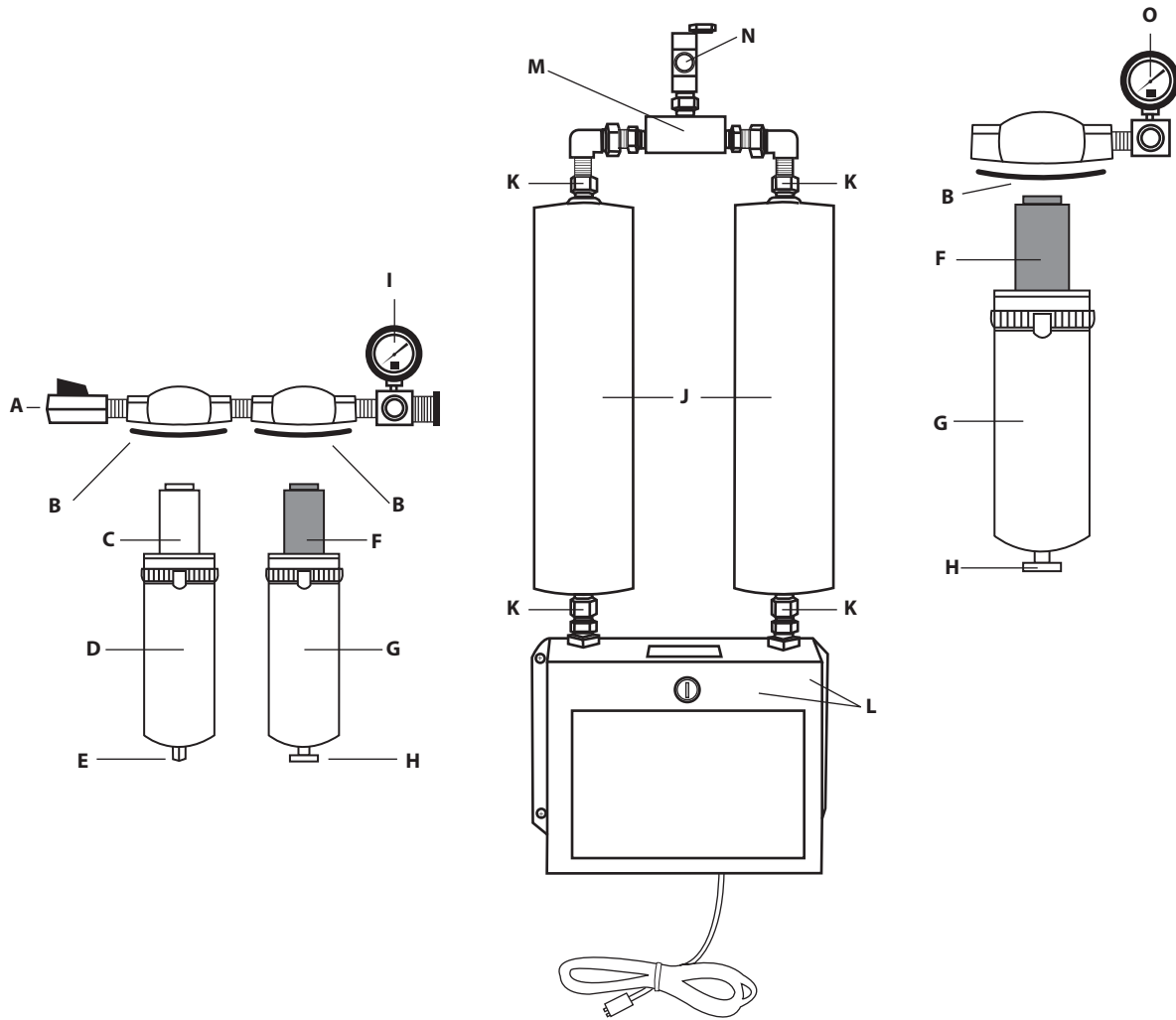


PERF-25 Breakdown



Description	Part Number	Description	Part Number
A Ball Valve, 1/2"	BV-051	I Regulator/Gauge, 1/2"	RG40
B Bowl O-Ring, 1st/2nd/3rd Stage	N32-95-257	J Desiccant Tower (Tower Only)	RTi-CAN-8
C Replacement Element, 1st Stage	3P-060	J Desiccant Tower (Filled Tower/Fittings)	PERF-25-TC
D Bowl Assembly, 1st Stage	N34-95-201	K Brass Fitting/Screen	RTi-SF-4
E Automatic Drain	N32-95-979	L Electronic Solenoid Valve	RTi-SY9540
F Replacement Element, 2nd/3rd Stage	3C-060	M Brass Shuttle Valve	LTC-017
G Bowl Assembly, 2nd/3rd Stage	N34-95-205	N Indicator Eye	RTi-SG-651
H Petcock Drain, 1/4"	PC-02	O Regulator/Gauge, 3/8"	RG30



(800) 521-9200



www.driair.com | www.rti-pbe.com



@RTiPBE



@rti_pbe

