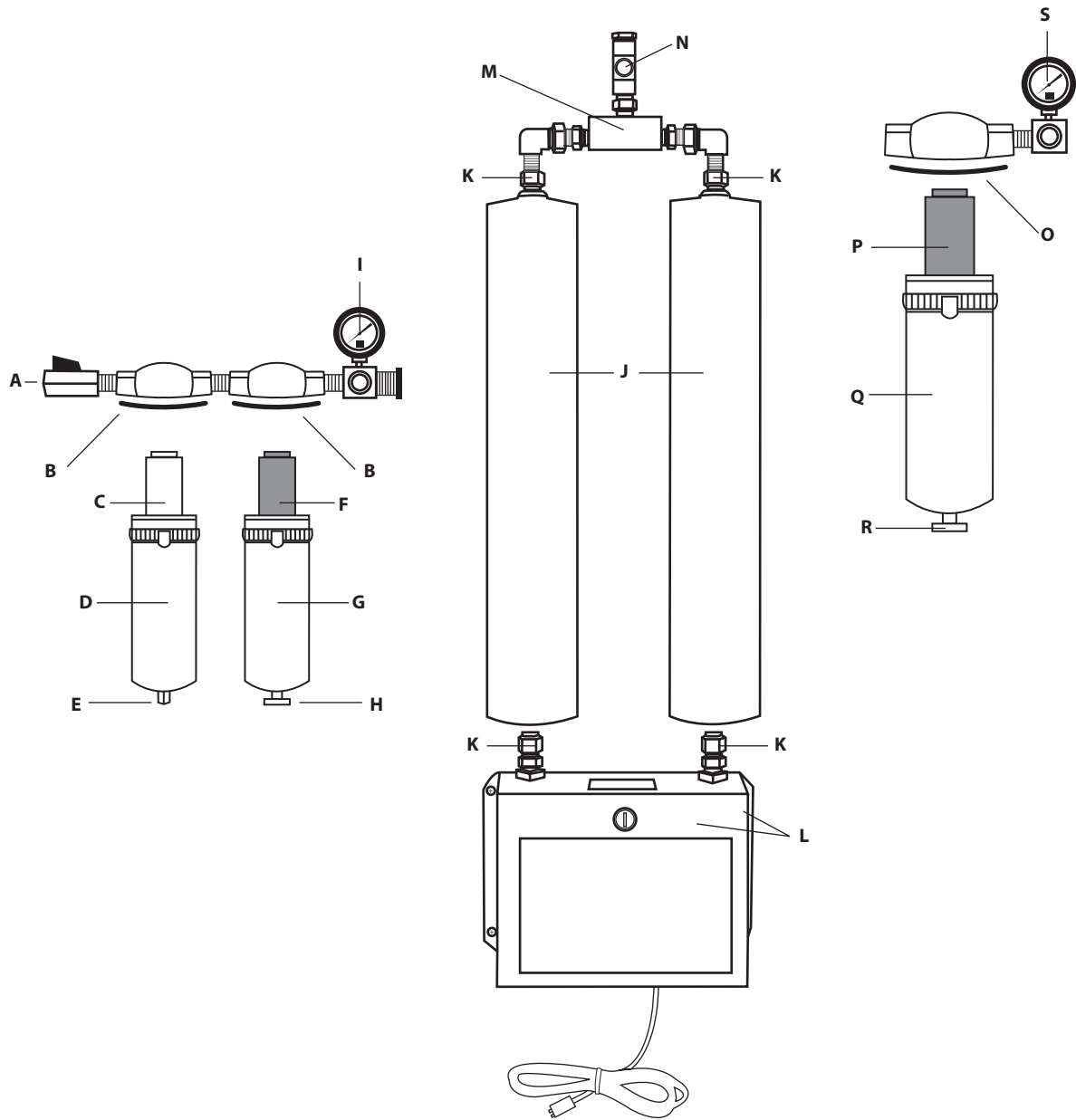


PERF-50 Breakdown



Description	Part Number	Description	Part Number
A Ball Valve, 1/2"	BV-051	J Desiccant Tower (Filled Tower/Fittings)	PERF-50-TC
B Bowl O-Ring, 1st/2nd Stage	N32-95-256	K Brass Fitting/Screen	RTi-SF-4
C Replacement Element, 1st Stage	3P-090	L Electronic Solenoid Valve	RTi-SY9540
D Bowl Assembly, 1st Stage	N34-15-178	M Brass Shuttle Valve	LTC-017
E Automatic Drain	N32-95-979	N Indicator Eye	RTi-SG-651
F Replacement Element, 2nd Stage	3C-090	O Bowl O-Ring, 3rd Stage	N32-95-257
G Bowl Assembly, 2nd Stage	N34-15-180	P Replacement Element, 3rd Stage	3C-060
H Petcock Drain, 3/8"	PC-03	Q Bowl Assembly, 3rd Stage	N34-95-205
I Regulator/Gauge, 3/4"	RG75	R Petcock Drain, 1/4"	PC-02
J Desiccant Tower	RTi-CAN-15	S Regulator/Gauge, 1/2"	RG40



(800) 521-9200



www.driair.com | www.rti-pbe.com



@RTiPBE



@rti_pbe

