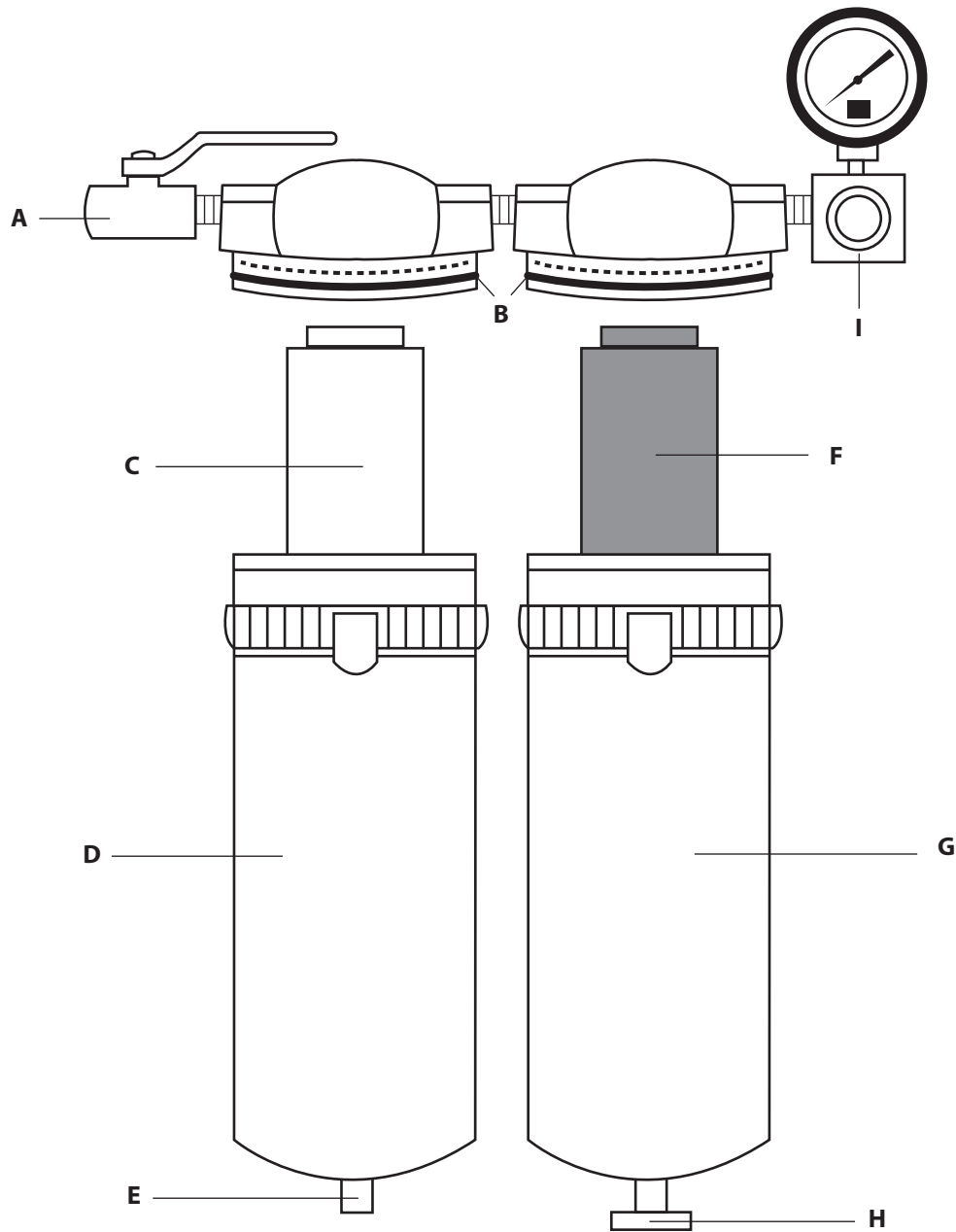


STEALTH 6060B Breakdown



Description

Description	Part #
A Ball Valve, 1/2"	BV-051
B Bowl O-ring	N32-95-257
C Replacement Element, 1st Stage	6960-1
D Bowl Assembly, 1st Stage	N34-95-201
E Automatic Drain	N32-95-979

Description

Description	Part #
F Replacement Element, 2nd Stage	3C-060
G Bowl Assembly, 2nd Stage	N34-95-205
H Petcock Drain, 1/4"	PC-02
I Regulator/Gauge, 3/8"	RG30



(800) 521-9200



www.driair.com | www.rti-pbe.com



@RTiPBE



@rti_pbe

