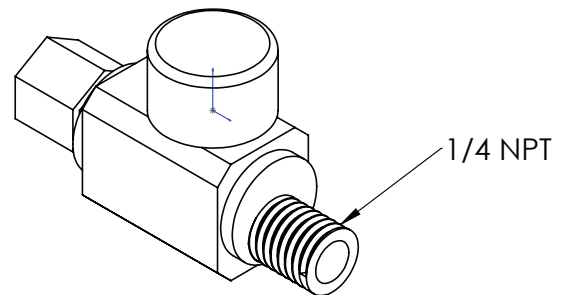
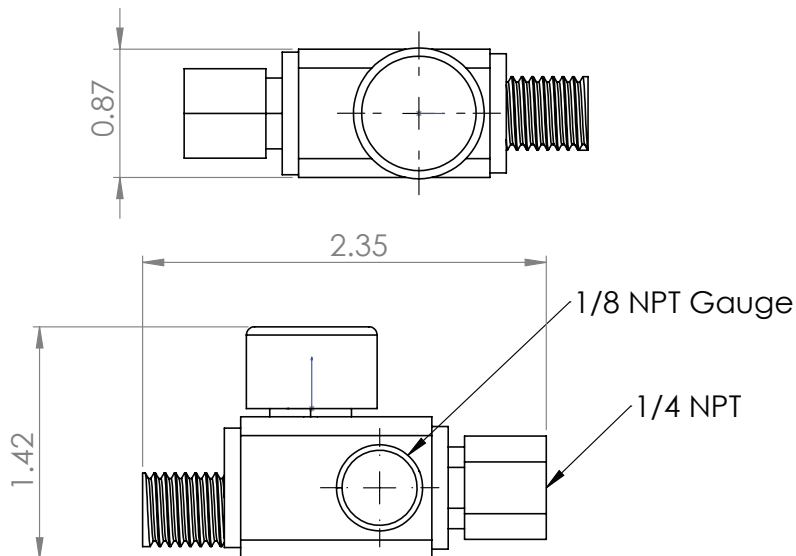
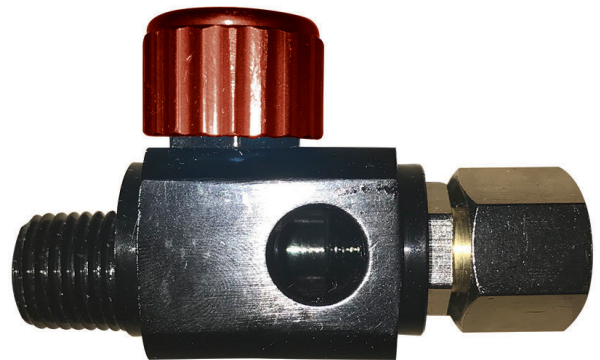
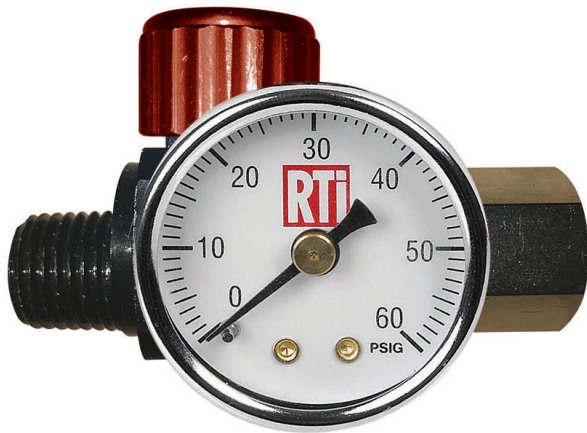


Cheater valve



Specifications/Benefits

- Needle valve adjustment for precision settings
- Great for spray equipment and pneumatic tools
- Machined aluminum valve body
- Precision machined aluminum valve using needle valve construction for precision air flow to spray gun
- 0-60 PSIG operating range
- 1/4" NPT connections
- Rugged lightweight design
- Comes standard with a gauge
- Easy to read 1½" 0-60 PSIG chrome gauge with glass lens

CA PROPOSITION 65 WARNING



WARNING: Cancer and Reproductive Harm
www.P65Warnings.ca.gov/product



(800) 521-9200



www.driair.com | www.rti-pbe.com



@RTiPBE



@rti_pbe

